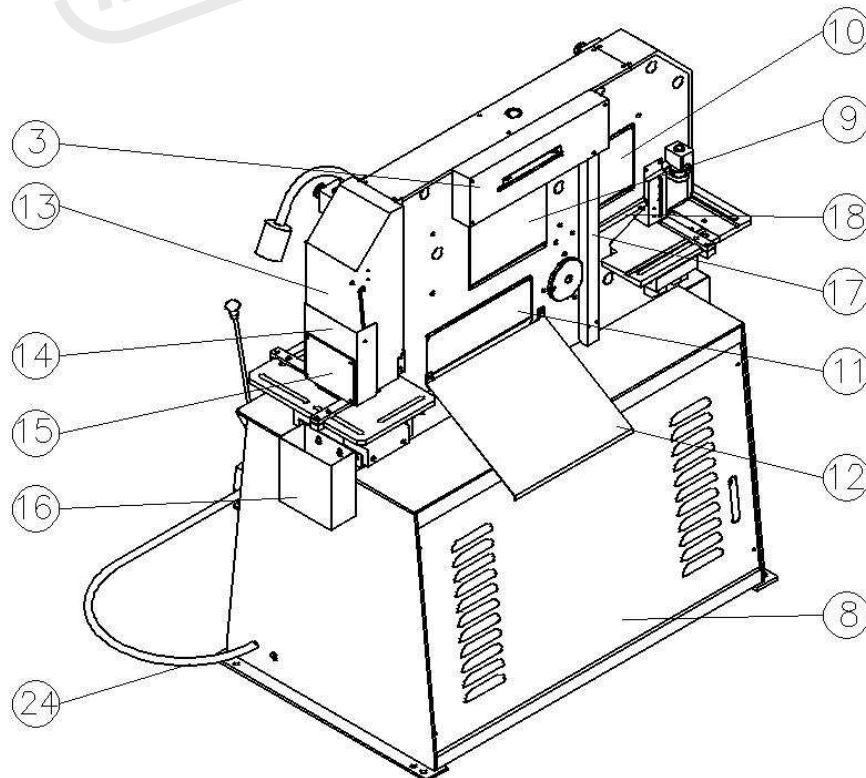
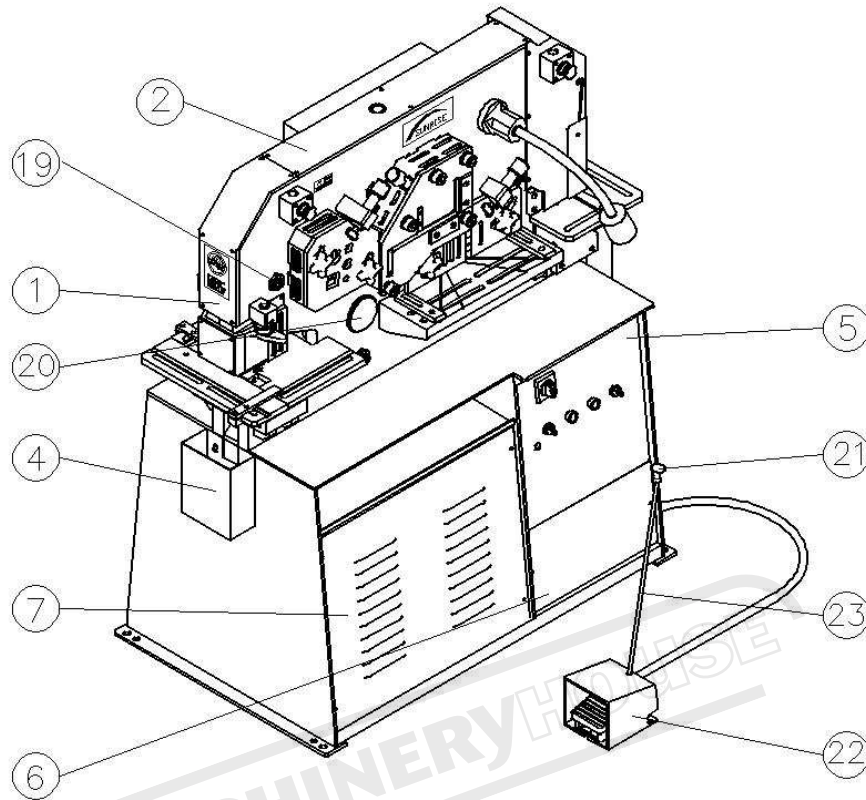


# IW-60H



## Sunrise Ironworker Parts List

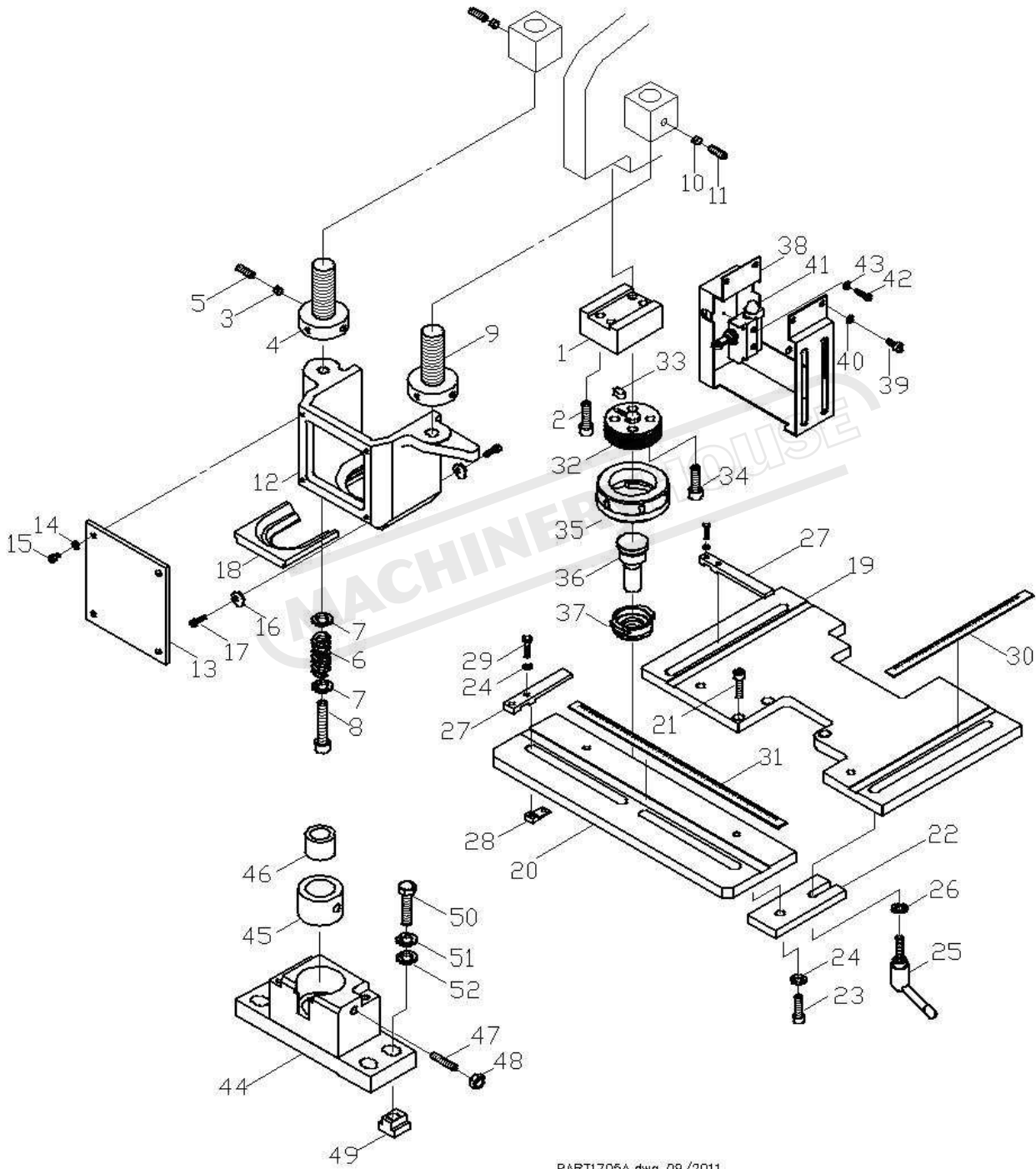
Model: **IW-60H**

Part: **Cover Plates**

Date: 02/2012

Item	Part Number	Description	產品名稱	Q'ty	Memo
1	211902003B	Top Cover A	護蓋 A	1	
2	211902004D	Top Cover B	護蓋 B	1	
3	211902012D	Limit Switch Cover	微動開關護板	1	
4	211302021A	Scrap Box For Punching	沖孔鐵屑盒	1	
5	211802900 211802011B 211302025C 211802012A 52414APL93902	Electrical Box	電氣箱總成	1	
6	211902019A	Front Base Cover	電氣箱底座護蓋	1	
7	211902001	Front Base Cover	底座前蓋	1	
8	211902002A	Rear Base Cover	底座後蓋	1	
9	211902008	Safety Guard for Angle Shear	剪角鐵護板	1	
10	211902010A	Safety Guard for Bar Shear	剪圓方護板	1	
11	211902009A	Safety Guard for Flat Shear	剪平板護板	1	
12	211902011B	Flat Bar Shear Back Plate	滑料片	1	
13	211902026A	Notching Station Cover	剪角側安全護蓋	1	
14	211902027A	Safety Guard For Notching	剪角安全護板	1	
15	42STBH003	Notching Clear Cover	剝料器安全護板	1	
16	211302022	Scrap Box For Notching	剪角鐵屑盒	1	
17	211902006A	Wire Cover for Limit Switch	微動開關配線蓋	1	
18	211902017	Wire Cover	配線蓋	1	
19	213010005 211310008B	Adjust Pushing Screw Adjust Pushing Nut	壓塊固定螺絲 壓塊固定螺帽	5	
20	211910001B	Main Pivot Pin	支持點心軸	1	
21	56314118036M10	Waist Shaped Knobs 1180-36-M10	凹槽式旋鈕		
22	52413YC135D	Foot Switch YC-135D(CE)	腳踏開關	1	
23	213210008	Foot Switch Handle	腳踏開關提桿	1	
24	56320G0061800A	Foot Switch Cable 1800mm	電線保護管 1800mm	1	

# Punching Station for IW-45M / 60H



## Sunrise Ironworker Parts List

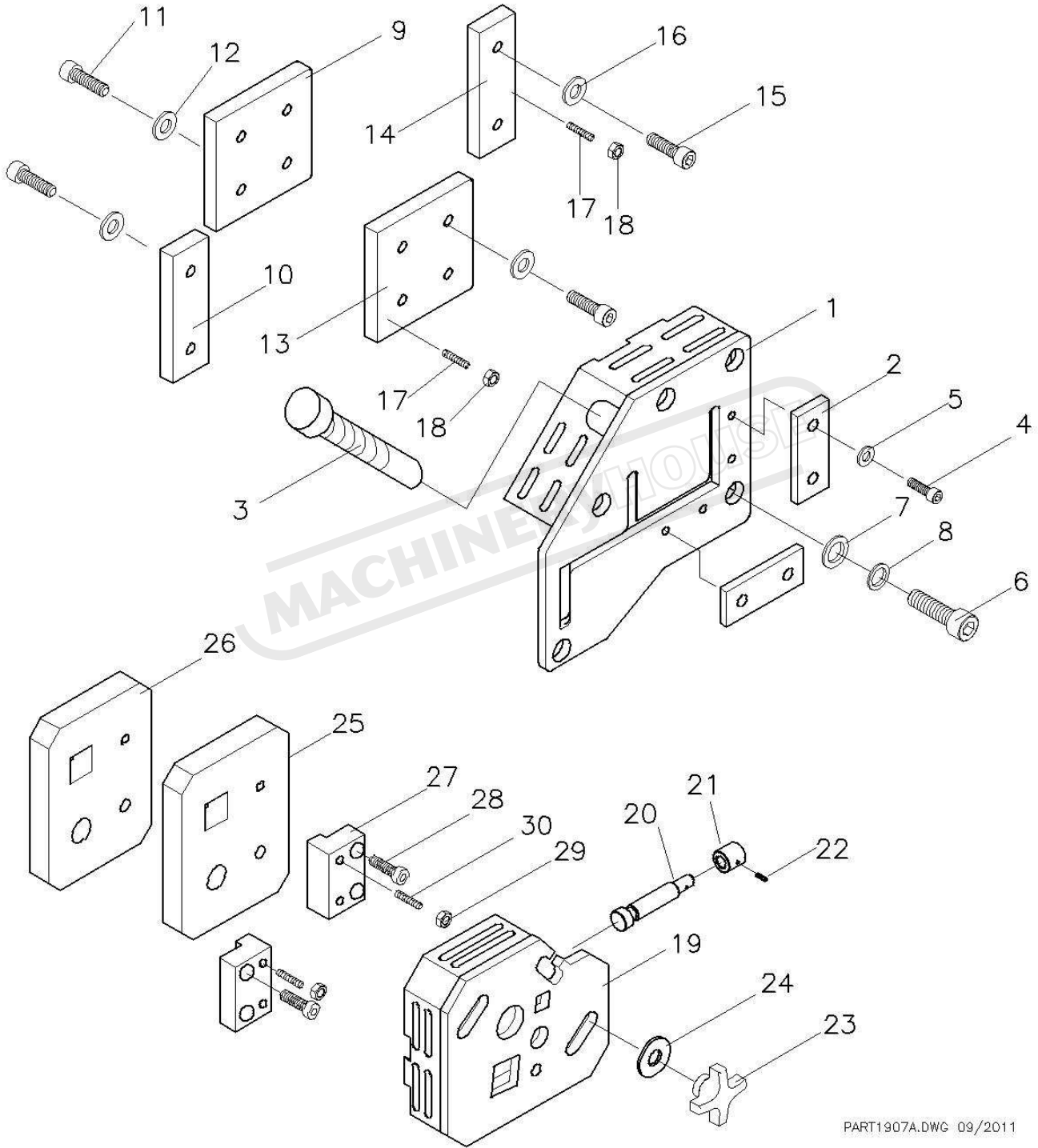
**Model: IW-60H**
**Part: Punching Station**

 Date: 02/2012

Item	Part Number	Description	產品名稱	Q'ty	Memo
1	211505001D	Retaining Thread Support	螺紋塊固定座	1	
2	56301A0014035	Hex Bolt M14X35	六角承窩頭螺栓	2	
3	211305090	212211009	Copper Piece	定位銅片	1
4		211305005B	Stripper Adj. Screw (2)	剝料器調整螺桿(二)	1
5		56301C0006010	Set Screw M6X10	止付內六角螺栓	1
6		211305006	Stripper Spring	沖孔剝料器彈簧	1
7		56303D00012024045	Flat Washer M12	平墊圈	2
8		56301A0012090	Hex Bolt M12X90	六角承窩頭螺栓	1
9	211305004B	Stripper Adj. Screw (1)	剝料器調整螺桿(一)	1	
10	213205010	Copper Piece	銅墊	2	
11	56301C0010012	Set Screw M10X12	止付內六角螺栓	2	
12	42STMD	42STMC003B	Stripper	沖孔剝料器	1
13		42STMC002	Stripper Clear Cover	剝料器護板	1
14		56303A00005	Spring Washer M5	彈簧墊圈	4
15		56301A0005012	Hex Bolt M5X12	六角承窩頭螺栓	4
16		42STBC004	Washer	墊片	2
17		56301I0005008	Cap Screw M5X8	半圓內六孔	2
18		42STBC003A-20 42STBC003A-42	Stripper Exchangeable Plate	剝料器底板	1
19		212905001A	Punching Table A (Main)	沖孔工作板(A)	1
20	211605004C	Punching Table B (Front)	沖孔工作板(B)	1	
21	211905100	56301A0008016	Hex Bolt M8X16	六角承窩頭螺栓	3
22		211305009B	Table Connecting Plate	工作板連接塊	2
23		56301A0010025	Hex Bolt M10X25	六角承窩頭螺栓	2
24		56303A00010	Spring Washer M10	彈簧墊圈	6
25		56315404163M1025	Clamp Handle M10X25	萬向把手	2
26		56303B11012025	Flat Washer M10	平墊圈	2
27		211605008A	Stopper Plate	工作板定位塊	2
28		211605009A	Clamping Plate	定位板固定滑塊	2
29		56301A4010040	Hex Bolt M10X40	六角承窩頭螺栓	4
30		211905003A	Punching Stopper Guide Ruler	沖孔工作板 Y 軸標尺	2
31		211605011A	Punching Table Ruler	沖孔工作板 X 軸標尺	1



# Angle and Bar Shear Station for IW-60H



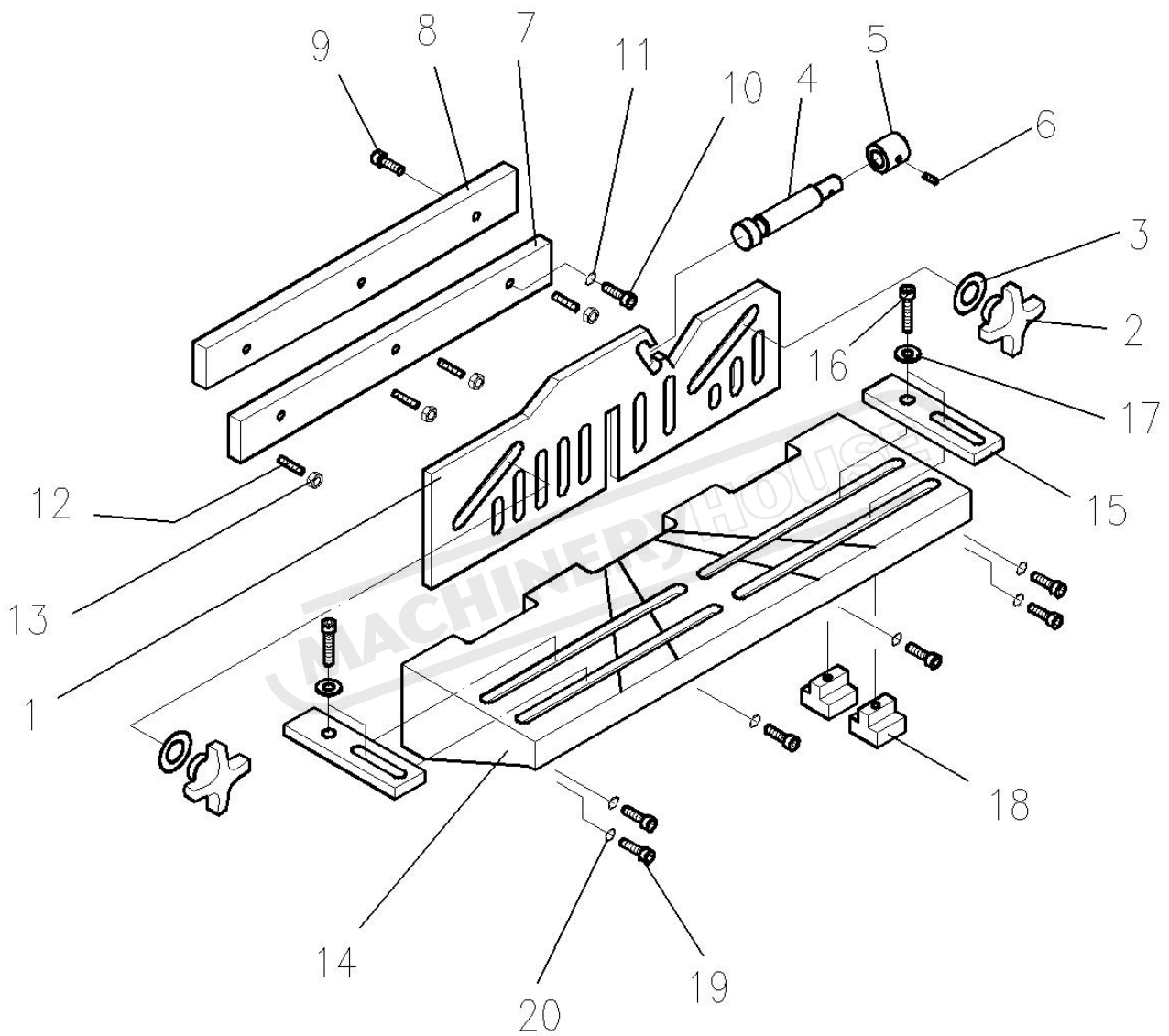
## Sunrise Ironworker Parts List

**Model: IW-60H    Part: Angle and Bar Shear Station**

Date: 02/2012

Item	Part Number		Description	產品名稱	Q'ty	Memo
1	211907901	211907001D	Angle Shear Holddown	角鐵剪切座	1	
		211907002				
		211902014B				
2	211507005A		Angle Holddown Adjusting Plate	L型鐵座調整壓塊	2	
3	211810005		Angle Holddown Screw	L型鐵座調整螺桿	1	
4	56301A0010020		Hex Bolt M10x20	六角承窩頭螺栓	4	
5	56303A00010		Spring Washer M10	彈簧墊圈	4	
6	56301A0020030		Hex Bolt M20X30	六角承窩頭螺栓	5	
7	56303B00020037040		Flat Washer M20	平墊圈	5	
8	56303A00020		Spring Washer M20	彈簧墊圈	5	
9	211807004B		Angle Shear Moving Blade(2)	剪角鐵刀具(活動2)	1	
10	211507003C		Angle Shear Moving Blade(1)	剪角鐵刀具(活動1)	1	
11	56301A0014050		Hex Bolt M14X50	六角承窩頭螺栓	5	
12	56303A00014		Spring Washer M14	彈簧墊圈	5	
13	211507001B		Angle Shear Stationary Blade(1)	剪角鐵刀具(固定1)	1	
14	211507002C		Angle Shear Stationary Blade(2)	剪角鐵刀具(固定2)	1	
15	56301A0014045		Hex Bolt M14X45	六角承窩頭螺栓	6	
16	56303A00014		Spring Washer M14	彈簧墊圈	6	
17	56301C8010030		Set Screw M10X30	止付內六角螺栓	8	
18	56302B0110		Nut M10	螺帽	8	
19	211909900	211909003	Rd/Sq Shear Holddown	圓方壓板	1	
		211902015				
		211902016				
20	211810900A	211810006C	Shear Holddown Screw	平板,圓方壓板調整螺桿	1	
21		211810009	Handle for Screw	調整螺桿握把		
22		56301C0008006	Set Screw M8X6	止付內六角螺絲		
23	56314DIN633576		Fix Nut for Holddown	十字旋鈕(不銹鋼)	2	
24	56303B11020040		Flat Washer M16	平墊圈	2	
25	211909001		Rd/Sq Shear Stationary Blade	圓方刀具(固定)	1	
26	211909002		Rd/Sq Shear Moving Blade	圓方刀具(活動)	1	
27	211309004		Rd/Sq Shear Blade Fix Plate	圓方刀具固定塊	2	
28	56301A0012020		Hex Bolt M12X20	六角承窩頭螺栓	4	
29	56302B0110		Nut M10	螺帽	4	
30	56301C8010040		Set Screw M10X40	止付內六角螺栓	4	

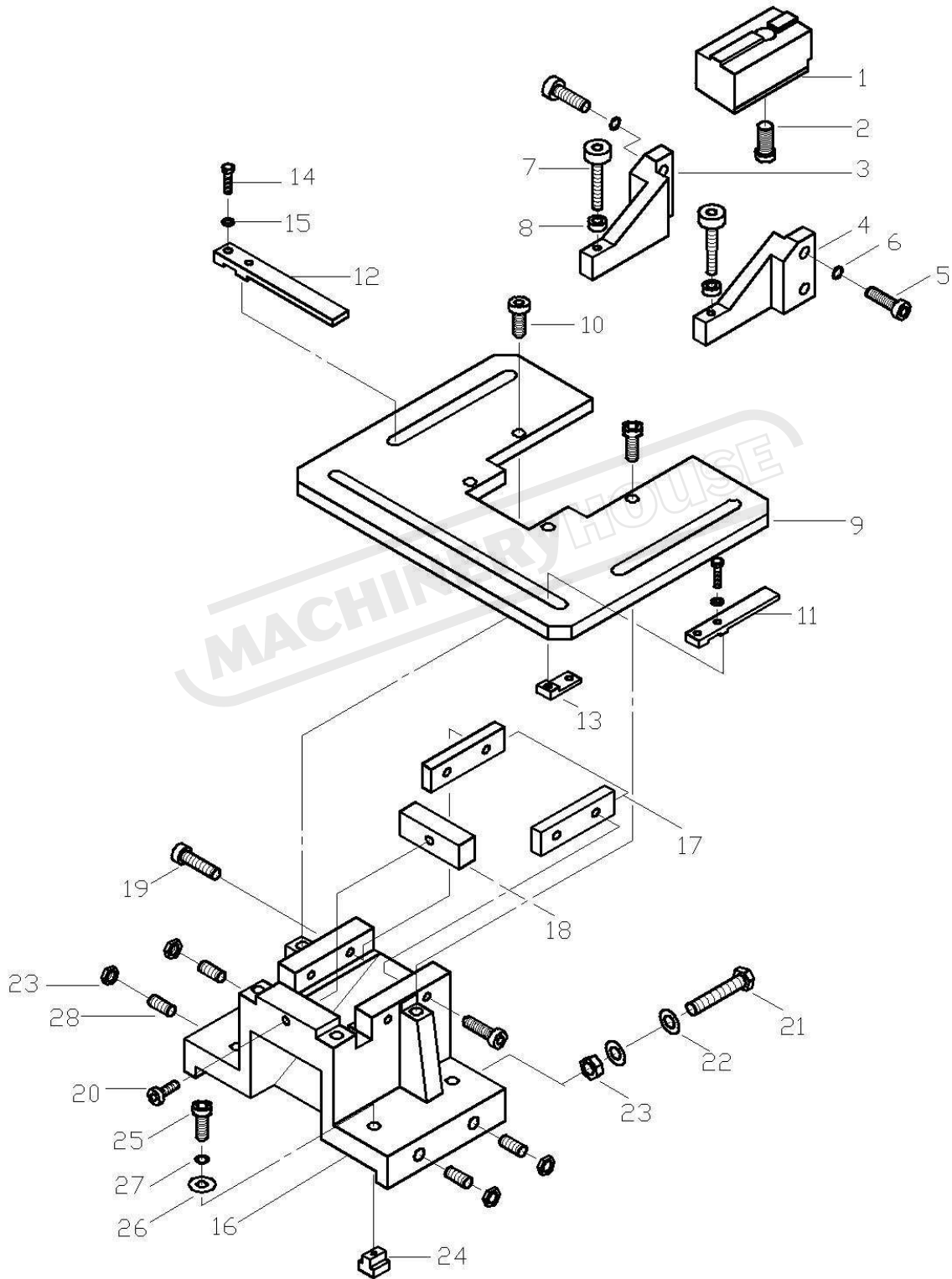
# Flat Shear Station for IW-60H







# Notching Station Assembly for IW-50A / 60H



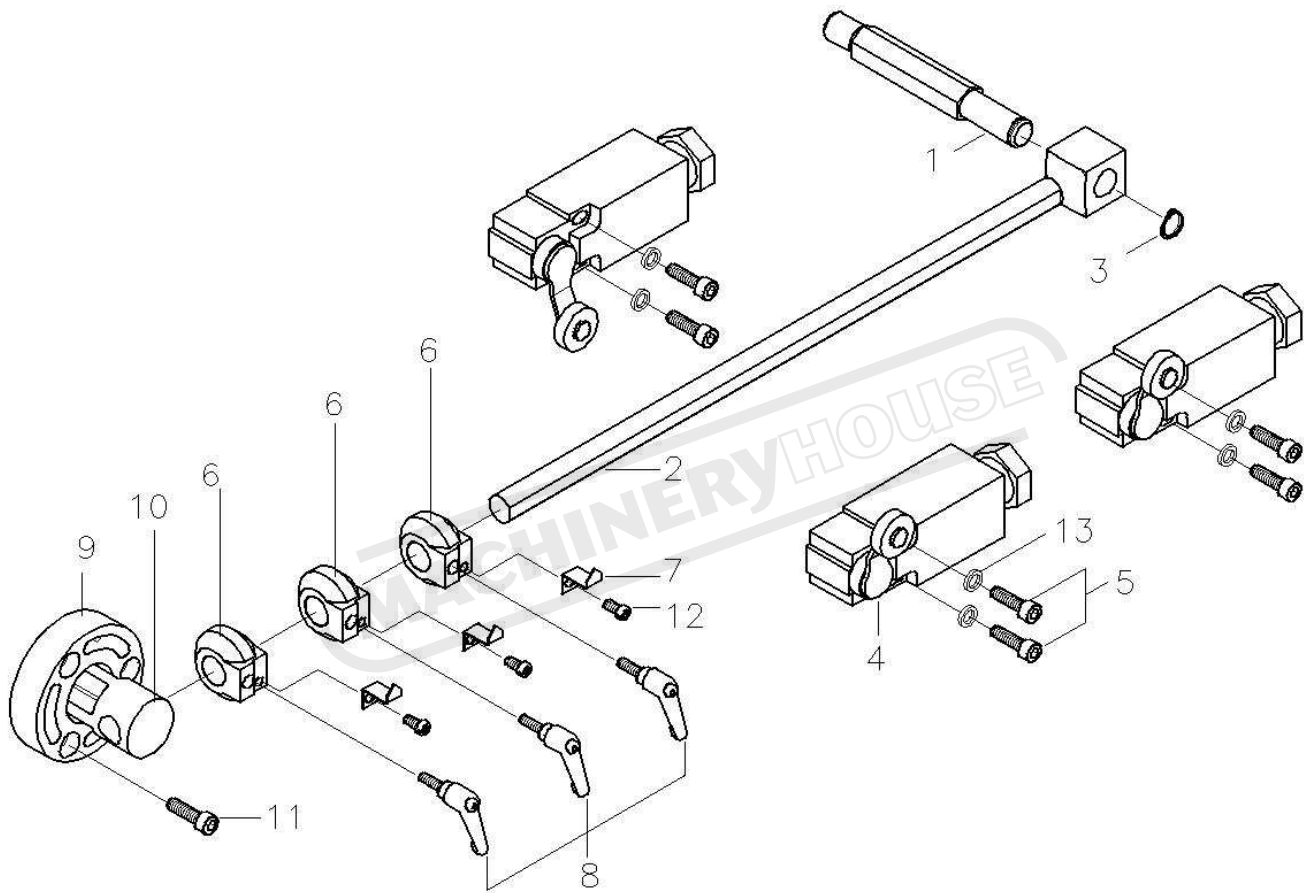
## Sunrise Ironworker Parts List

**Model: IW-50A/60H**
**Part: Notching Station**

 Date: 02/2012

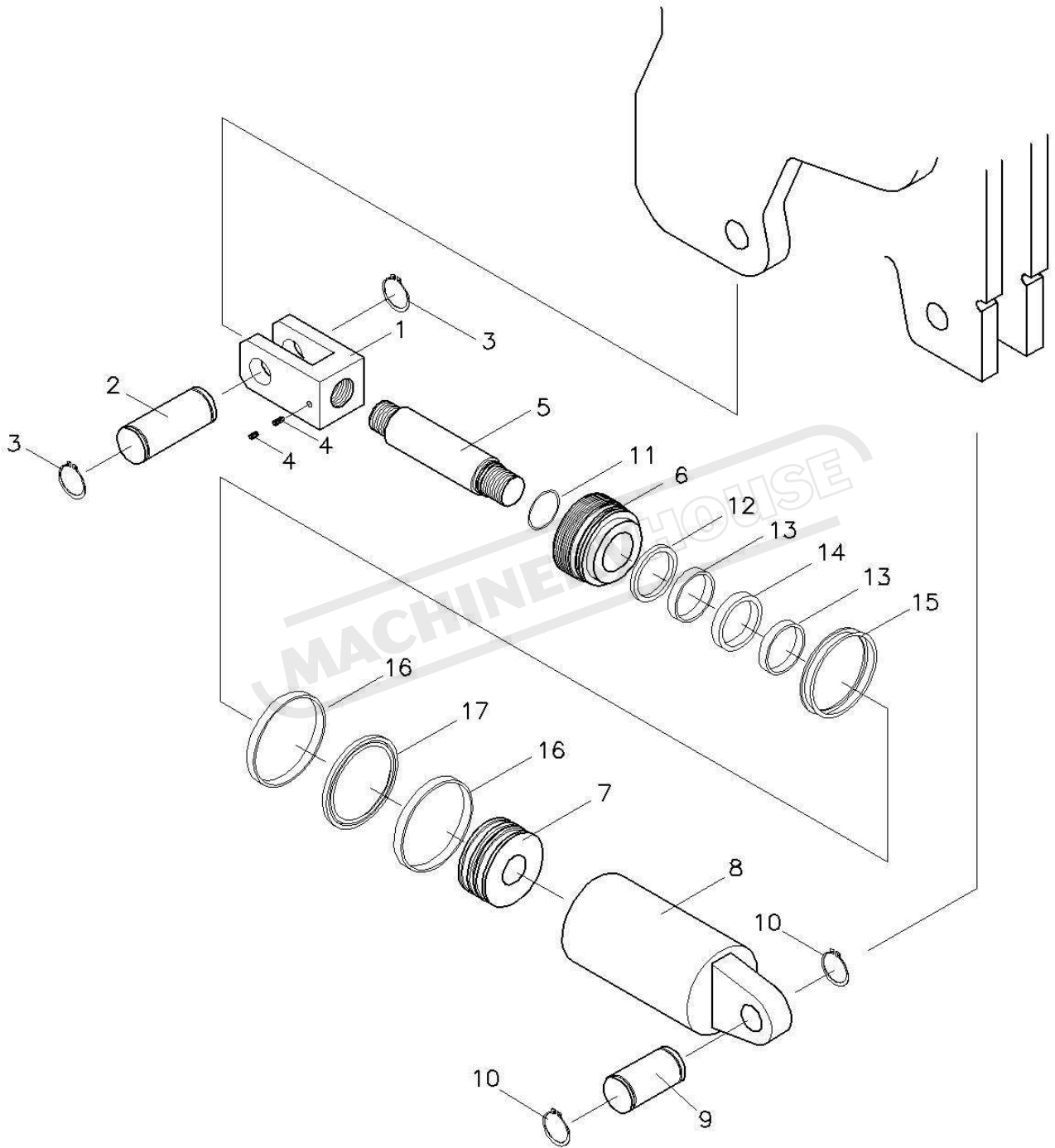
Item	Part No	Description	產品名稱	Q'ty	Memo
1	213206001A	Notcher Top Blade	方型剪角刀具	1	
2	56301A0018035	Hex Bolt M18X35	六角承窩頭螺栓	1	
3	211306004A	Notching Stripper (left)	剪角剝料器(左)	1	
4	211306005A	Notching Stripper (right)	剪角剝料器(右)	1	
5	56301A0012030	Hex Bolt M12X30	六角承窩頭螺栓	4	
6	56303A00012	Spring Washer M12	彈簧墊圈	4	
7	56301A0008050	Hex Bolt M8X50	六角承窩頭螺栓	2	
8	56302B0108	Nut M8	六角螺帽	2	
9	211606100	211606003A	Notching Table	剪角工作板	1
10		56301A0008016	Hex Bolt M8X16	六角承窩頭螺栓	4
11		211605008A	Stopper Plate (short)	工作板定位塊(短)	1
12		211606007	Stopper Plate (long)	工作板定位塊(長)	1
13		211605009A	Clamping Plate	定位板固定滑塊	2
14		56301A0010040	Hex Bolt M10X40	六角承窩頭螺栓	4
15		56303A00010	Spring Washer M10	彈簧墊圈	4
16		211306008D	Notching Bolster	方型剪角下模座	1
17	211306002F	Notcher Side Blade	方型剪角側刀	2	
18	211306003C	Notcher Front Blade	方型剪角前刀	1	
19	56301A0010020	Hex Bolt M10X20	六角承窩頭螺栓	4	
20	56301A0010035	Hex Bolt M10X35	六角承窩頭螺栓	1	
21	HW-BTD12055	Hex Bolt M12X55	六角頭螺栓	2	
22	56303D00012024045	Flat Washer M12	平墊圈	4	
23	56302B0112	Nut M12	六角螺帽	6	
24	211305012	T-Shaped Nut M12	T形螺帽	4	
25	56301A0012050	Hex Bolt M12X50	六角承窩頭螺栓	4	
26	56303D00012024045	Flat Washer M12	平墊圈	4	
27	56303A00012	Spring Washer M12	彈簧墊圈	4	
28	56301C0012025	Set Screw M12X25	止付內六角螺栓	4	

# Stroke Adjustment for IW-50A & IW-60H



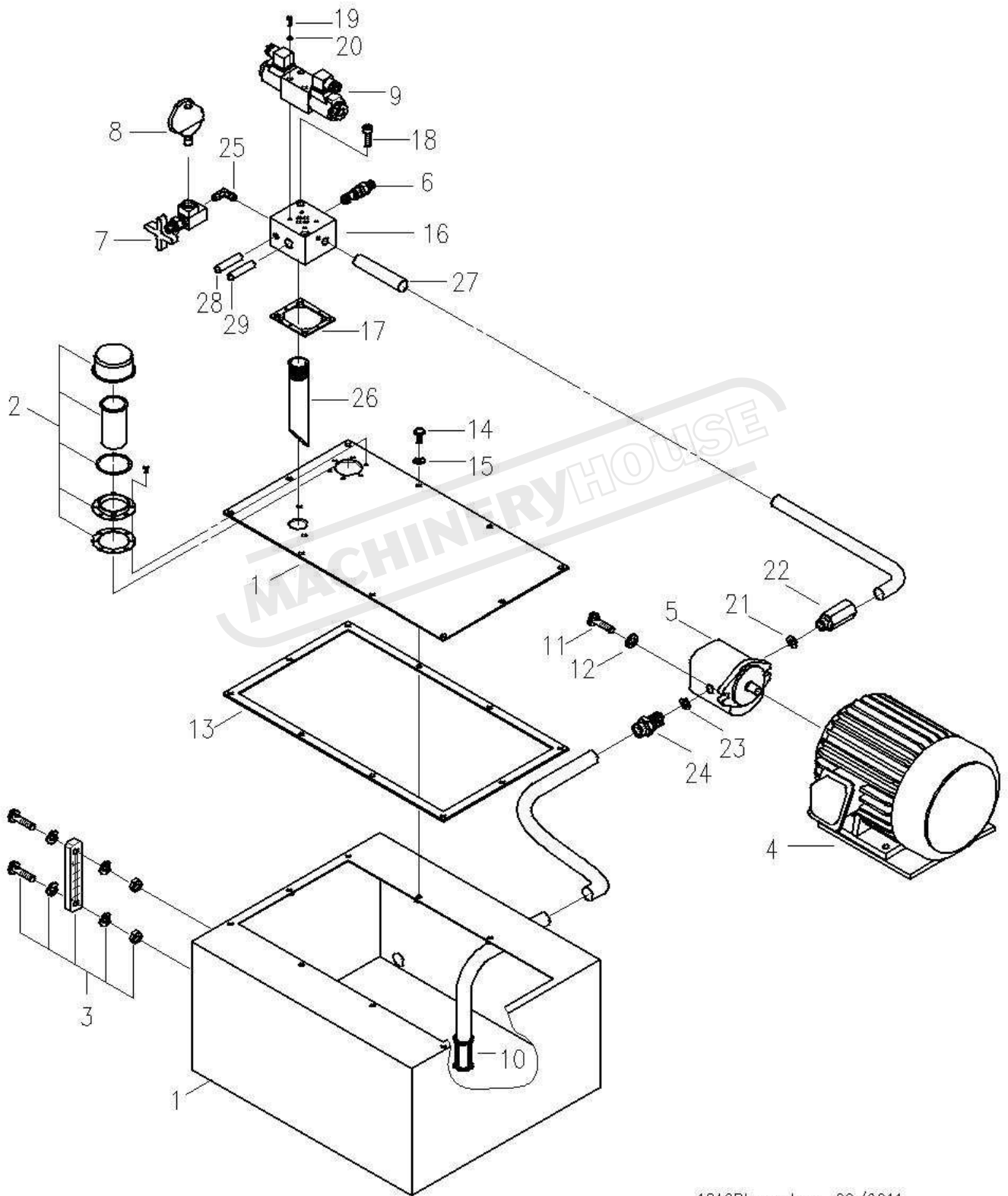


# Cylinder Assembly IW-50A / 60H





# Hydraulic Components for IW-50A / 60H





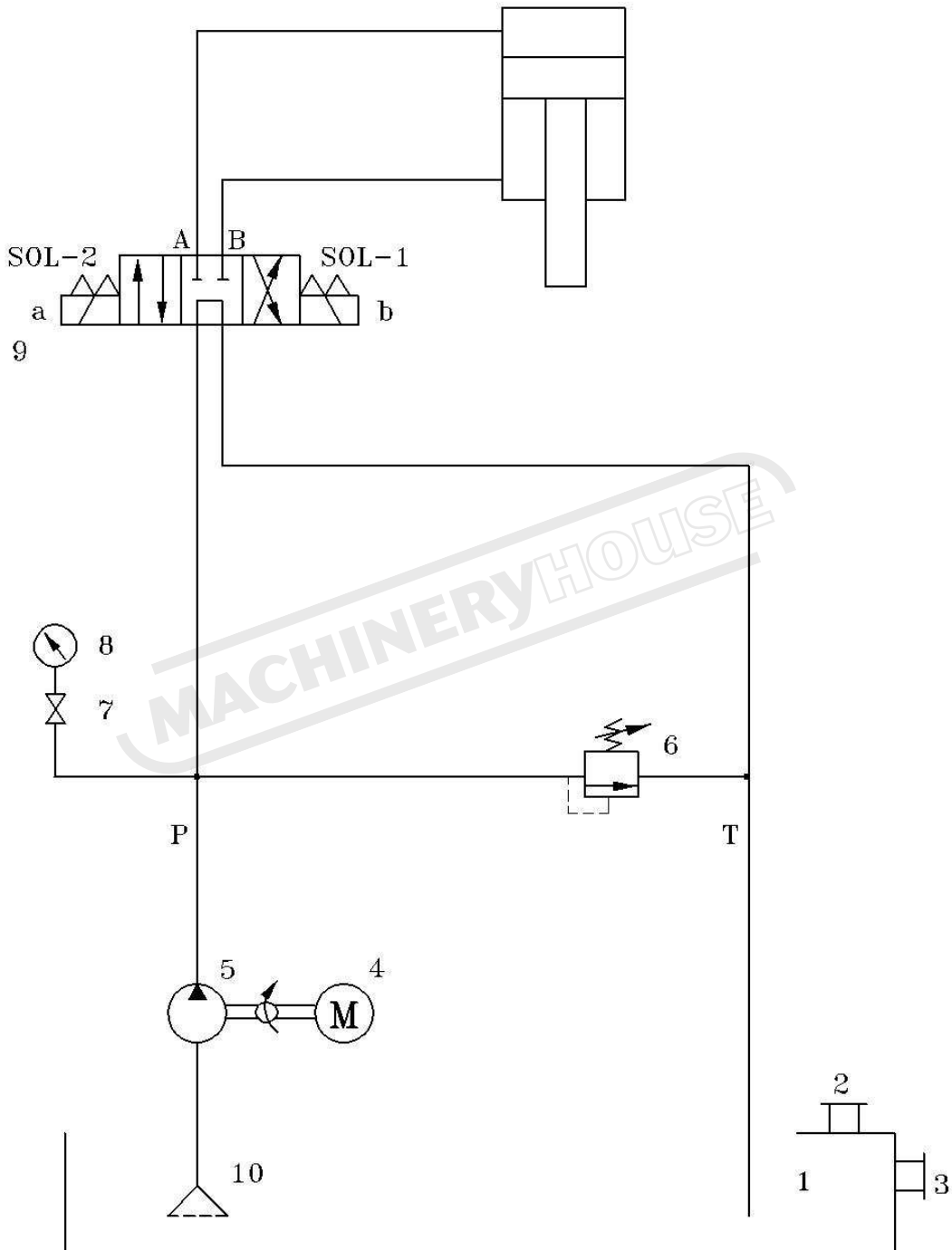
## Sunrise Ironworker Parts List

Model: **IW-60H**Part: **Hydraulic Components Assembly**Date: 02/2012

Item	Part Number		Name	產品名稱	Q'ty	Memo
1	211902910A	211902018D	Oil Tank	油箱	1	
		211802026				
2	53702HY08A		Breather & Filler	注油器	1	
3	53701LG4		Oil Level Gauge	油面計	1	
4	7.5HP 50Hz	380V: 52301075JN 400V: 52301075JN 415V: 52301075JN	Motor	馬達	1	
	7.5HP 60Hz	220V: 52301075FG 230V: 52301075FG 380V: 52301075FG 460V: 52301075FG 575V: 52301075DH				
	7.5HP 60Hz	220V: 52303075YF 380V: 52303075YF				
5	50Hz: 53201GHP2AS22 60Hz: 53201GHP2AS20		Pump	泵浦	1	
6	53656RPECFAN		Relief Valve	洩壓閥	1	
7	53652ST02L		Gauge Cock	考克	1	
8	53621CBLM63350		Pressure Gauge	壓力錶	1	
9	53651DFA02005		Solenoid Valve	電磁閥	1	
10	53301MF106		Suction Filter	濾油網	1	
11	56301A0010025		Hex Bolt M10X25	六角承窩頭螺栓	2	
12	56303A00010		Spring Washer M10	彈簧墊圈	2	
13	211303008		Oil Tank Cover Seal	油箱油封	1	
14	56301D0008025		Hex Bolt M8X25	六角頭螺栓	10	
15	56303A00008		Spring Washer M8	彈簧墊圈	10	
16	211603003A		Manifold Block	油路板	1	
17	211603005		Packing	橡膠油封	1	
18	56301A0008065		Hex Bolt M8X65	六角承窩頭螺栓	2	
19	56301A0005040		Hex Bolt M5X40	六角承窩頭螺栓	4	
20	56303A00005		Spring Washer M5	彈簧墊圈	4	
21	53403P020VT		O-Ring	O 型環	1	
22	210LJT006A		Oil Joint	泵浦出油口接頭	1	

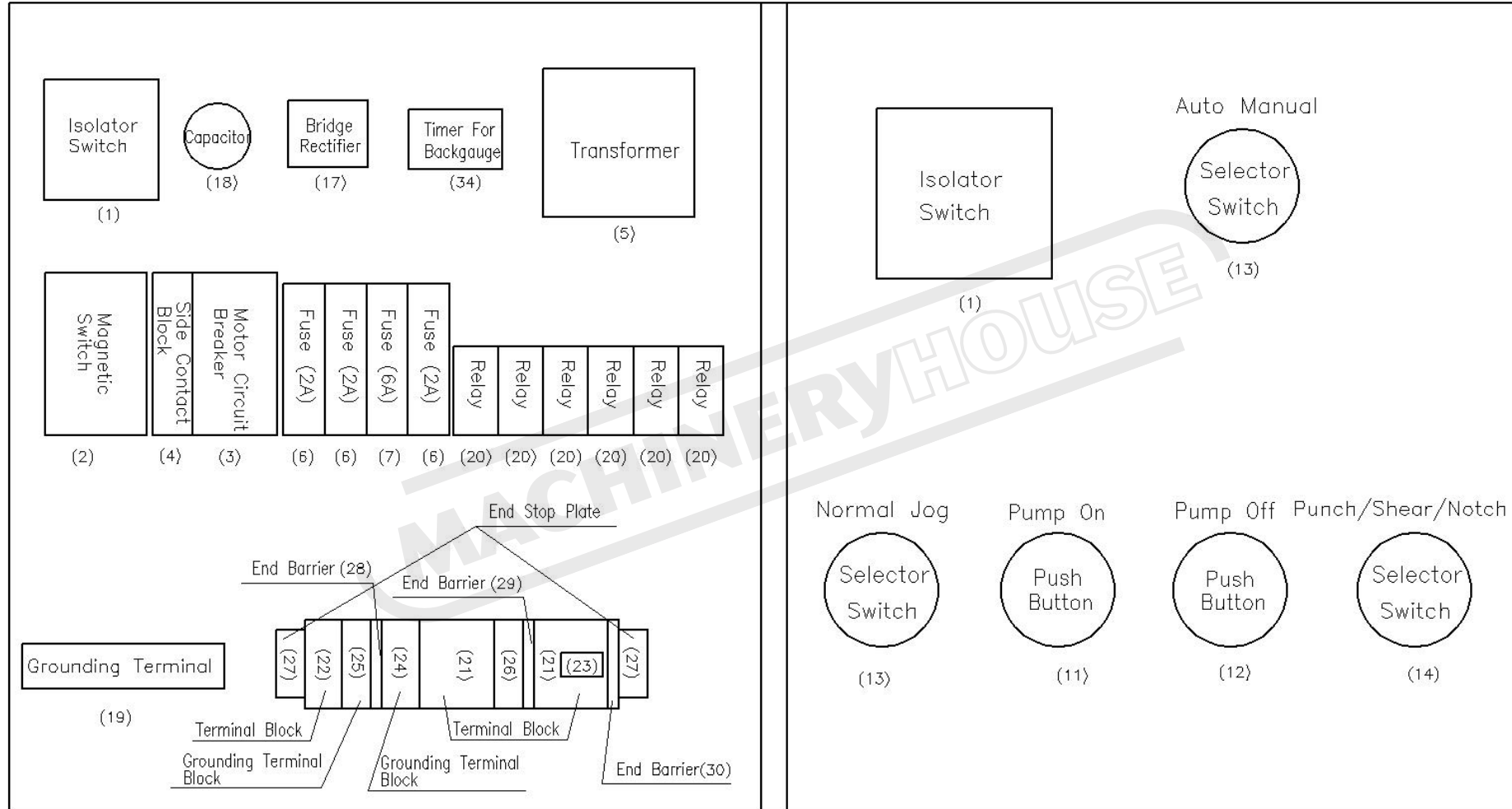


# Hydraulic Circuit for IW-45M / 50A / 60H



## ELECTRIC PANEL DIAGRAM

### IW-50A, 60H MODELS with ELECTRIC BACKGAUGE



**IW-60H ELECTRICAL PARTS**

With Electrical Backgauge, CE

02/2012

	Part Number	Code	Description	Manufacturer	Q'ty	產品名稱	Memo
1	220V: 52407OT40F3 230V: 52407OT40F3 380V: 52407OT25F3 415V: 52407OT25F3 460V: 52407OT40F3 575V: 52407OT16F3	QS	Isolator Switch	ABB Control OY	1	電源開關	
2	220V: 52401LC1D25B7 230V: 52401LC1D25B7 380V: 52401LC1D18B7 415V: 52401LC1D18B7 460V: 52401LC1D25B7 575V: 52401LC1D12B7	KM	Magnetic Switch	TE	1	電磁接觸器	
3	220V: 52402GV2ME22 230V: 52402GV2ME22 380V: 52402GV2ME16 415V: 52402GV2ME16 460V: 52402GV2ME16 575V: 52402GV2ME14	QF	Motor Circuit Breaker	TE	1	馬達啓動斷路器	
4	52419GVAN11		Side Contact Block	TE	1	輔助接點	
5	220V: 524032201510 230V: 524035751520 380V: 524032201510 415V: 524032201510 460V: 524035751520 575V: 524035751520	TR	Transformer	SUENN LIANG	1	變壓器	
6	52801A02A	FU1,FU2, FU4	Fuse	Bussmann	3	保險絲	
7	52801A06A	FU3	Fuse	Bussmann	1	保險絲	

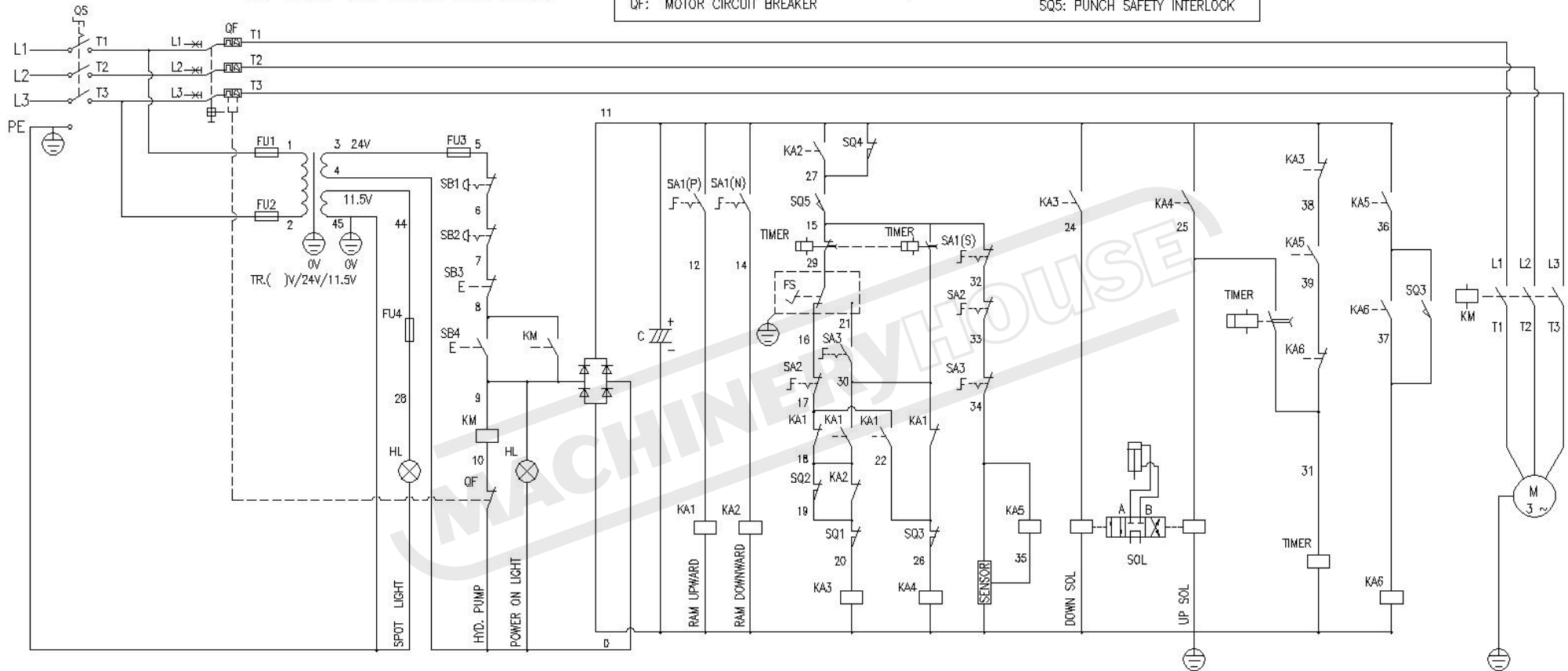
	Part Number	Code	Description	Manufacturer	Q'ty	產品名稱	Memo
8	52801CFBSCHM1D		Fuse Base	Bussmann	4	保險絲座	
9	52421XB5AS542	SB2	Emergency Stop Button (Shear Side)	TE	1	緊急停止	
10	52421XB5AS542	SB1	Emergency Stop Button (Punch Side)	TE	1	緊急停止	
11	52420XB5AW3361	SB4	Pump ON Push Button	TE	1	綠色罩光按鈕	
12	52407XB5AL42	SB3	Pump OFF Push Button	TE	1	泵浦停止	
13	52415ZB5AD2	SA1,SA3	Selector Switch	TE	2	選擇開關	
14	52415ZB5AD3	SA2	Selector Switch	TE	1	選擇開關	
15	52419ZBE101		Normal Open Contact	TE	3	選擇 A 接點	
16	52419ZBE102		Normal Close Contact	TE	1	選擇 B 接點	
17	52202KBPC2506		Bridge Rectifier	FY	1	橋式整流器	
18	522034700UF50V	C	Capacitor	廣華 (Kuan Hua)	1	電容器	
19	527026P		Grounding Terminal	Wago	1	接地端子台	
20	52404RMIA2YF08AE	KA1~KA6	Relay	Carlo Gavazzi	6	繼電器	
21	52702280901		Terminal Block	Wago	27	端子匣	
22	52702282901		Terminal Block	Wago	3	端子匣	
23	52702280402		Jumper Bar	Wago	3	短路片	
24	52702280907		Grounding Terminal Block	Wago	1	接地端子匣	
25	52702282907		Grounding Terminal Block	Wago	1	接地端子匣	
26	52702280681		Terminal Block	Wago	1	端子匣	
27	52702249117		End Stop Plate	Wago	2	擋片	
28	52702282325		End Barrier	Wago	1	端板	
29	52702282325		End Barrier	Wago	1	端板	
30	52702280324		End Barrier	Wago	1	端板	

	Part Number	Code	Description	Manufacturer	Q'ty	產品名稱	Memo
31	52702280308		End Barrier	Wago	1	端板	
32	52702261301		Terminal Block	Wago	2	端子匣	
33	52702261361		End Barrier	Wago	1	端板	
34	52405H3M1	TIMER	Timer for Backgauge	Fotek	1	計時器	
35	56294202504		4 Pin Connector For Backgauge	PLT	1	金屬接頭	
36	5240921A12DSN04	SENSOR	Proximity Sensor for Backgauge	CARLO	1	近接開關	
37	52413YC135D	FS1,FS2	Foot Switch	SSUPOU	1	腳踏開關	
38	52811AL201WTG23012	HL	Halogen Lamp	ARC	1	石英燈	
39	52411XCKN2118G11	SQ1~SQ3	Limit Switch for Stroke Adjustment	TE	3	微動開關	
40	52411TZ7311	SQ4	Limit Switch for Notcher	Tend	1	剪角微動開關	
41	52411TZ7312	SQ5	Limit Switch for Stripper	Tend	1	剝料微動開關	

### Electrical Circuit (CE)

*IW-50A, IW-60H model with sensor*

- |                           |                        |                             |
|---------------------------|------------------------|-----------------------------|
| SB1: EMERGENCY STOP(A)    | FS: FOOT SWITCH        | SQ1: RAM DOWN STOP          |
| SB2: EMERGENCY STOP(B)    | SA1: PUNCH/SHEAR/NOTCH | SQ2: SHORT STROKE           |
| SB3: PUMP OFF             | SA2: NORMAL/JOG        | SQ3: RAM UP STOP            |
| SB4: PUMP ON              | SA3: AUTO/MANU         | SQ4: NOTCH SAFETY INTERLOCK |
| QF: MOTOR CIRCUIT BREAKER |                        | SQ5: PUNCH SAFETY INTERLOCK |



L1	L2	L3	PE	G	29	16	21	5	6	6	7	19	20	18	19	22	26	36	37	11	27	15	27	24	25	0	0	0	34	35	28	45	
POWER SOURCE					FS		SB1		SB2		SQ1		SQ2		SQ3		SQ4		SQ5		SOL		SENSOR		LAMP								